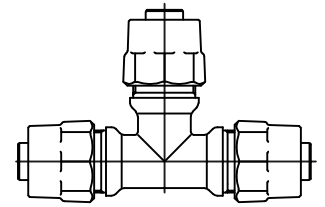


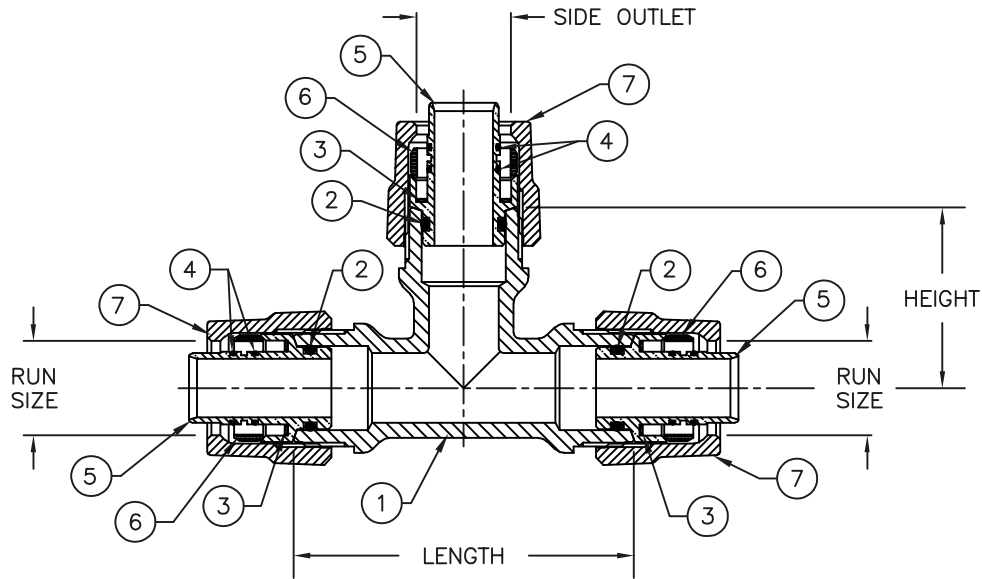
Cambridge Brass
 P.O. Box 249
 140 Orion Place
 Cambridge, Ontario
 Canada N1R 5V1
 Tel: (519) 621-5520
 Fax: (519) 621-8674
 http://www.cambridgebrass.com



MODEL NO. 150NL

C903 x C903 x C903

SERVICE TEE



PARTS AND MATERIAL:

1. TEE BODY: NO LEAD CAST BRASS, ALLOY C89833
2. O-RING: NITRILE RUBBER
3. INSULATOR: POLYETHYLENE
4. O-RING: NITRILE RUBBER
5. INSERT: NO LEAD CAST BRASS, ALLOY C89833
6. GRIPPER: BRASS, ALLOY C51000
7. C903 NUT: CAST BRASS, ALLOY C83600

FEATURES:

- CONFORMS TO AWWA C800 (ASTM B584 UNS C89833 FOR ALL BRASS PARTS IN CONTACT WITH POTABLE WATER)
- CONFORMS TO ANSI/NSF 61-8
- CONFORMS TO ANSI/NSF 372 (COMPLIANT WITH US Safe Drinking Water Act. PL 111-380)
- 300PSI WORKING PRESSURE

Cambridge Brass considers the information in this submittal form to be correct at the time of publication. Item and option availability, including specifications, are subject to change without notice.

TEE SIZE	CATALOG NO.	RUN C903 (BOTH ENDS)	SIDE OUTLET C903	LENGTH	HEIGHT	APPROX. WT. LBS.
3/4" x 3/4" x 3/4"	150NL-K3K3	3/4"	3/4"	3.66"	1.96"	2.1
3/4" x 3/4" x 1"	150NL-K3K4	3/4"	1"	3.66"	1.94"	2.4
1" x 1" x 1"	150NL-K4K4	1"	1"	4.20"	2.10"	3.5

Submitted by: