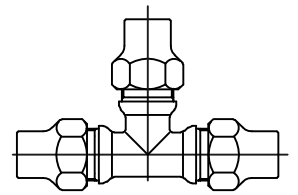


Cambridge Brass
P.O. Box 249
140 Orion Place
Cambridge, Ontario
Canada N1R 5V1
Tel: (519) 621-5520
Fax: (519) 621-8674
http://www.cambridgebrass.com

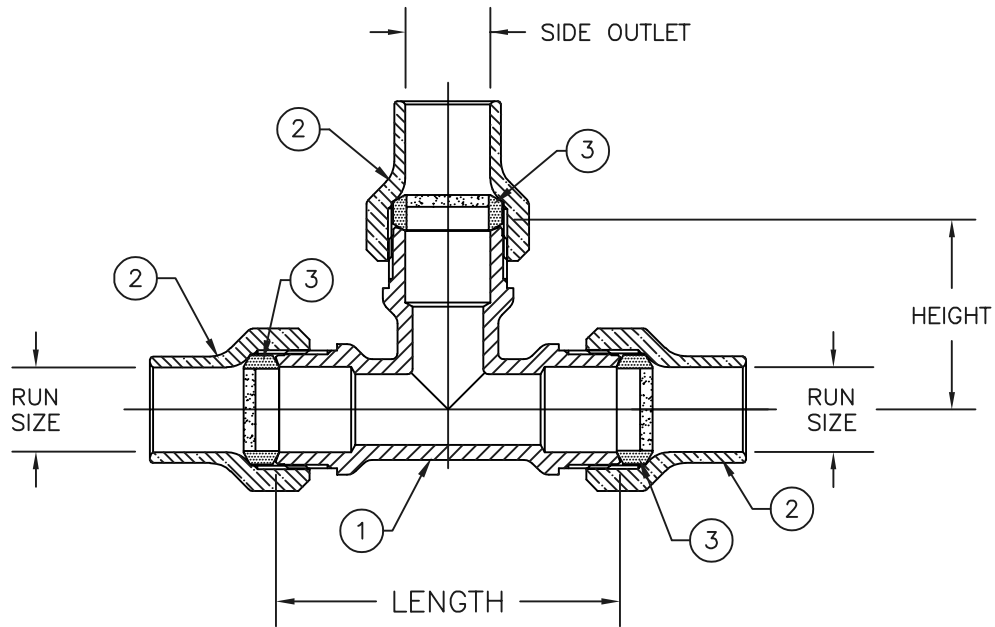


MODEL NO. 150NL

HAYSTITE x HAYSTITE x HAYSTITE

SERVICE TEE

FOR COPPER OR PLASTIC (CTS) TUBING



PARTS AND MATERIAL:

1. TEE BODY: CAST BRASS, CDA ALLOY C89833 "NO LEAD BRASS"
2. COMPRESSION NUT: CAST BRASS, ALLOY C83600
3. COMPRESSION SEAL: NITRILE RUBBER, WITH GRIT

FEATURES:

- CONFORMS TO AWWA C800 (ASTM B584 UNS C89833 FOR ALL BRASS PARTS IN CONTACT WITH POTABLE WATER)
- CONFORMS TO ANSI/NSF 61-8
- CONFORMS TO ANSI/NSF 372 (COMPLIANT WITH US Safe Drinking Water Act. PL 111-380)
- 300PSI WORKING PRESSURE

Cambridge Brass considers the information in this submittal form to be correct at the time of publication. Item and option availability, including specifications, are subject to change without notice.

TEE SIZE	CATALOG NO.	RUN HAYSTITE (BOTH ENDS)	SIDE OUTLET HAYSTITE	LENGTH	HEIGHT	APPROX. WT. LBS.
3/4" x 3/4" x 3/4"	150NL-J3J3	3/4"	3/4"	3.66"	1.96"	1.9
3/4" x 3/4" x 1"	150NL-J3J4	3/4"	1"	3.66"	1.94"	3.2
1" x 1" x 1"	150NL-J4J4	1"	1"	4.20"	2.10"	3.3

Submitted by: