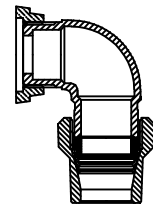


Cambridge Brass
P.O. Box 249
140 Orion Place
Cambridge, Ontario
Canada N1R 5V1
Tel: (519) 621-5520
Fax: (519) 621-8674
http://www.cambridgebrass.com

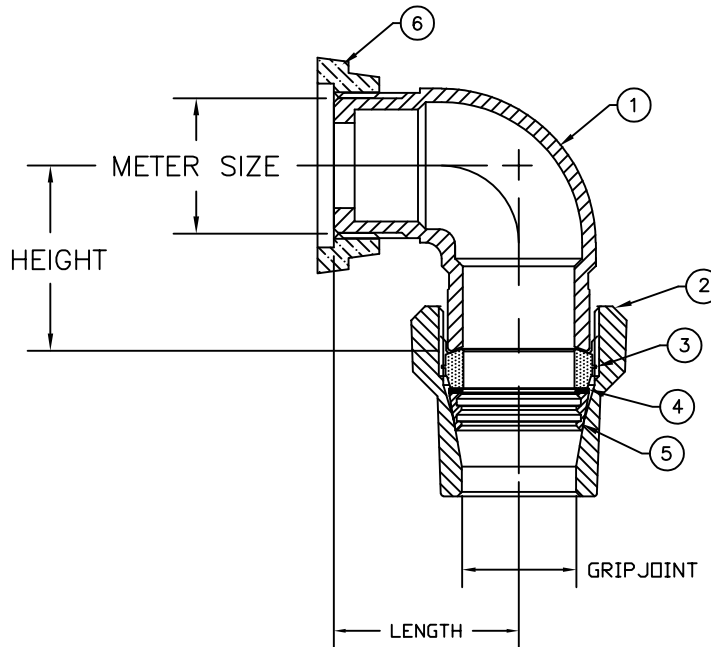


MODEL NO. 105NL

METER YOKE NOSE x GRIP JOINT

YOKE ELL COUPLING

METER YOKE NOSE BY GRIP JOINT FOR COPPER OR PLASTIC TUBING (CTS)



PARTS AND MATERIAL:

1. ELBOW BODY: CAST BRASS, ALLOY C89833
2. GRIPJOINT NUT: CAST BRASS, ALLOY C83600
3. GASKET: NITRILE RUBBER
4. WASHER: POLYETHYLENE
5. GRIPPER: BRASS, ALLOY C26000
6. STAR NUT: CAST BRASS, ALLOY C83600

FEATURES:

- MANUFACTURED IN COMPLIANCE WITH AWWA STANDARD C800 (ASTM B-584, UNS NO C83600 (85-5-5-5), C89833 (NO LEAD))
- BODY PROVIDES LARGE, RUGGED WRENCH FLATS FOR PROPER INSTALLATION.
- YOKE ELL COUPLINGS MAY BE USED ON EITHER END OF THE YOKE.
- NO LEAD PARTS CONFORM TO ANSI/NSF 61-8
- NO LEAD PARTS CONFORM TO ANSI/NSF 372 (COMPLIANT WITH US Safe Drinking Water Act. PL 111-380)
- 300 PSI WORKING PRESSURE

Cambridge Brass considers the information in this submittal form to be correct at the time of publication. Item and option availability, including specifications, are subject to change without notice.

CATALOG NO.	METER SIZE	GRIP JOINT CONNECTION	LENGTH	HEIGHT	APPROX. WT. LBS.
105NL-SR1GJ3	5/8"	3/4"	1.88"	1.50"	
105NL-SR3GJ3	5/8"x3/4" & 3/4"	3/4"	1.88"	1.50"	
105NL-SR4GJ4	1"	1"	1.94"	1.94"	

Submitted by: