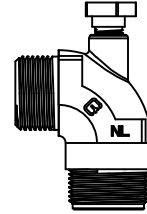


Cambridge Brass
P.O. Box 249
140 Orion Place
Cambridge, Ontario
Canada N1R 5V1
Tel: (519) 621-5520
Fax: (519) 621-8674
http://www.cambridgebrass.com

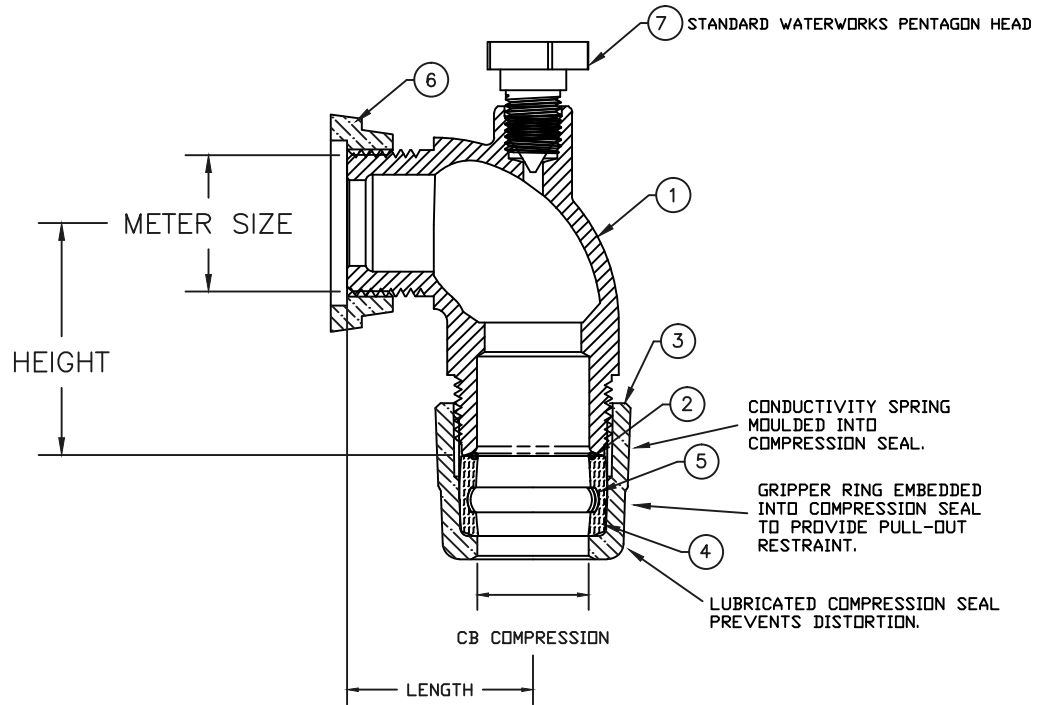


MODEL NO. 105NL

METER YOKE NOSE x CB COMPRESSION

YOKE ELL COUPLING
WITH WASTE PORT, NO LEAD

METER YOKE NOSE BY CB COMPRESSION FOR COPPER OR PLASTIC TUBING (CTS)



PARTS AND MATERIAL:

1. ELBOW BODY: CAST BRASS, ALLOY C89833
2. CONDUCTOR SPRING: BRASS
3. COMPRESSION NUT: CAST BRASS, ALLOY C83600
4. COMPRESSION SEAL: EPDM
5. GRIPPER: STAINLESS STEEL, ALLOY 302
6. STAR NUT: CAST BRASS, ALLOY C83600
7. WASTE PLUG: CAST BRASS, ALLOY C89833

FEATURES:

- MANUFACTURED IN COMPLIANCE WITH AWWA STANDARD C800 (ASTM B-584, UNS NO C83600 (85-5-5-5), C89833 (NO LEAD)
- BODY PROVIDES LARGE, RUGGED WRENCH FLATS FOR PROPER INSTALLATION.
- YOKE ELL COUPLINGS MAY BE USED ON EITHER END OF THE YOKE.
- NO LEAD PARTS CONFORM TO ANSI/NSF 61-8
- NO LEAD PARTS CONFORM TO ANSI/NSF 372 (COMPLIANT WITH US Safe Drinking Water Act. PL 111-380)
- 300 PSI WORKING PRESSURE

Cambridge Brass considers the information in this submittal form to be correct at the time of publication. Item and option availability, including specifications, are subject to change without notice.

CATALOG NO.	METER SIZE	CB COMPRESSION	LENGTH	HEIGHT	APPROX. WT. LBS.
105NL-SR3H3W	5/8"x3/4" & 3/4"	3/4"	1.88"	1.50"	
105NL-SR4H4W	1"	1"	1.94"	1.94"	

Submitted by: