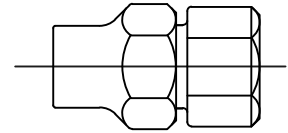


Cambridge Brass
P.O. Box 249
140 Orion Place
Cambridge, Ontario
Canada N1R 5V1
Tel: (519) 621-5520
Fax: (519) 621-8038
http://www.cambridgebrass.com

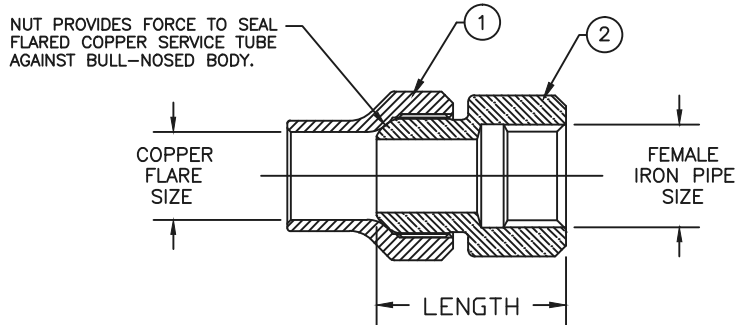


MODEL NO.117NL

COPPER FLARE x
FEMALE IRON PIPE

COUPLING
NO LEAD

COPPER FLARE FOR COPPER SERVICE TUBE x FEMALE IRON PIPE



PARTS AND MATERIAL:

1. COUPLING BODY – CAST BRASS, NO LEAD ALLOY C89833
2. COPPER FLARE NUT – CAST BRASS, ALLOY C83600

FEATURES:

- CONFORMS TO AWWA C800 (ASTM B584 UNS C89833 FOR ALL BRASS PARTS IN CONTACT WITH POTABLE WATER)
- CONFORMS TO ANSI/NSF 61-8
- CONFORMS TO ANSI/NSF 372 (COMPLIANT WITH US Safe Drinking Water Act. PL 111-380)
- BODY AND NUTS PROVIDE WRENCH FLATS FOR INSTALLATION
- 300PSI WORKING PRESSURE

ORDERING INFORMATION:

LESS NUT = ADD "LN" TO END OF CATALOG NO.

Cambridge Brass considers the information in this submittal form to be correct at the time of publication. Item and option availability, including specifications, are subject to change without notice.

COUPLING SIZE	CATALOG NO.	COPPER FLARE	FEMALE IRON PIPE	LENGTH	APPROX. WT. LBS.
1/2" x 3/4"	117NL-C1F3	1/2"	3/4"	2.19"	1.2
3/4" x 1/2"	117NL-C3F1	3/4"	1/2"	1.43"	0.8
3/4"	117NL-C3F3	3/4"	3/4"	1.94"	0.8
3/4" x 1"	117NL-C3F4	3/4"	1"	2.00"	1.0
1" x 3/4"	117NL-C4F3	1"	3/4"	2.22"	1.3
1"	117NL-C4F4	1"	1"	2.18"	1.2
1" x 1 1/4"	117NL-C4F5	1"	1 1/4"	1.84"	1.0
1 1/2"	117NL-C6F6	1 1/2"	1 1/2"	2.16"	2.8
2"	117NL-C7F7	2"	2"	2.68"	5.0

Submitted by: