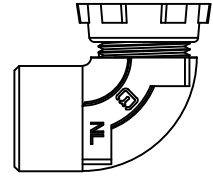


Cambridge Brass
P.O. Box 249
140 Orion Place
Cambridge, Ontario
Canada N1R 5V1
Tel: (519) 621-5520
Fax: (519) 621-8674
http://www.cambridgebrass.com

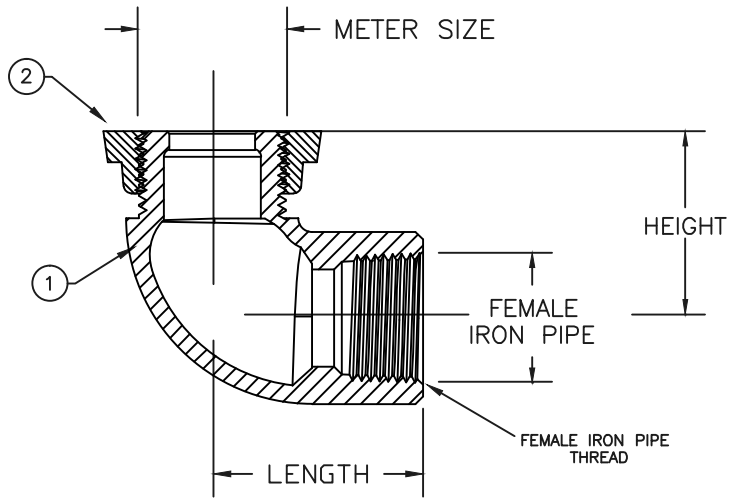


MODEL NO.105NL

METER YOKE NOSE x FEMALE IRON PIPE

YOKE ELL COUPLING

METER YOKE NOSE BY FEMALE IRON PIPE THREAD



PARTS AND MATERIAL:

- 1. ELBOW BODY: CAST BRASS, ALLOY C89833
- 2. STAR NUT: CAST BRASS, ALLOY C83600

FEATURES:

- ALL COMPONENTS CONFORM TO AWWA C800-05 (ASTM B-584 UNS NO C89833 FOR BRASS PARTS IN CONTACT WITH POTABLE WATER, AND ASTM B-62 AND B-584 UNS NO C83600 FOR ALL OTHER BRASS PARTS).
- CSA CLASSIFIED TO ANSI/NSF STANDARD 61-8.
- CONFORMS TO ANSI/NSF 372 (COMPLIANT WITH US Safe Drinking Water Act. PL 111-380)
- BODY PROVIDES LARGE, RUGGED WRENCH FLATS FOR PROPER INSTALLATION.
- YOKE ELL COUPLINGS MAY BE USED ON EITHER END OF THE YOKE.
- 300 PSI WORKING PRESSURE

Cambridge Brass considers the information in this submittal form to be correct at the time of publication. Item and option availability, including specifications, are subject to change without notice.

CATALOG NO.	METER SIZE	FEMALE IRON PIPE	LENGTH	HEIGHT	APPROX. WT. LBS.
105NL-SR1F3	5/8"	3/4"	1.69"	1.50"	
105NL-SR3F3	5/8"x3/4" & 3/4"	3/4"	1.69"	1.50"	
105NL-SR4F4	1"	1"	1.94"	1.94"	1.4

Submitted by: