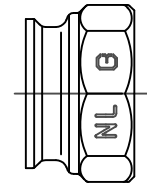


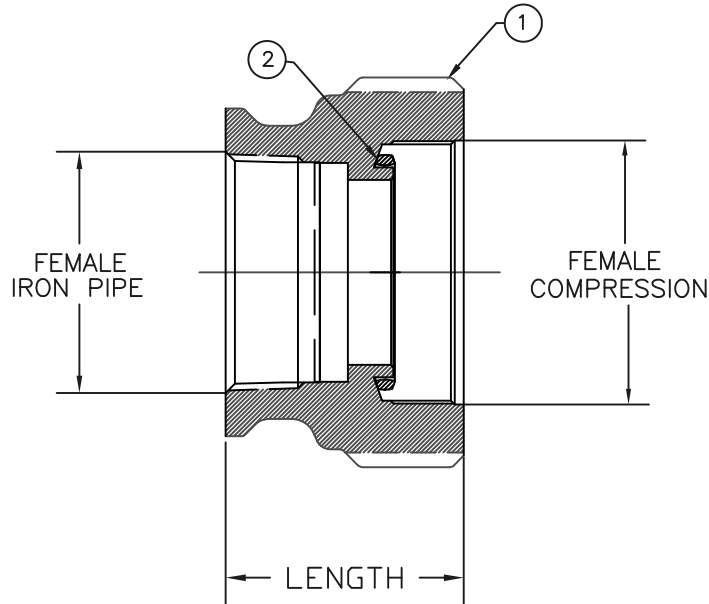
Cambridge Brass
P.O. Box 249
140 Orion Place
Cambridge, Ontario
Canada N1R 5V1
Tel: (519) 621-5520
Fax: (519) 621-8674
http://www.cambridgebrass.com



MODEL NO. 117NL

FEMALE IRON PIPE x
FEMALE COMPRESSION

ADAPTOR



PARTS AND MATERIAL:
1. BODY: CAST BRASS, ALLOY C89833
2. SEAL: NITRILE RUBBER NSF APPROVED

FEATURES:
- MANUFACTURED IN COMPLIANCE WITH AWWA STANDARD C800-05 (ASTM B-62 AND ASTM B-584, UNS NO C89833 (NO LEAD BRASS)).
- CSA CLASSIFIED TO ANSI/NSF STANDARD 61-8.
- BODY PROVIDES LARGE, RUGGED WRENCH FLATES FOR PROPER INSTALLATION.

Cambridge Brass considers the information in this submittal form to be correct at the time of publication. Item and option availability, including specifications, are subject to change without notice.

CATALOG NO.	FEMALE IRON PIPE	FEMALE COMPRESSION	LENGTH	APPROX. WT. LBS.
117NL-F606	1-1/2"	1-1/2"	2.25"	
117NL-F707	2"	2"	2.38"	

Submitted by: